

**SONY**

**Car Stereo  
Service Bulletin**

**Sony Service Company** - Technical Services  
A Division of Sony Corporation of America  
Sony Drive, Park Ridge, New Jersey 07656

**Model:** CDX-A15/A15RF/A30/A30RF/A40RF/A100

**No. 250**

**Subject:** Disc Passes Beneath Disc Stopper, E-04 or E-99  
Is Displayed

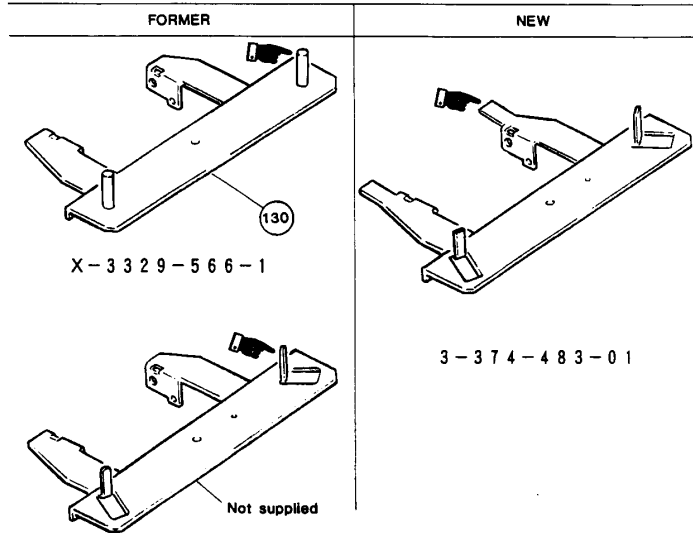
**Date:** August 14, 1992

**Symptom:**  
(61)

During disc loading, the disc may pass beneath the disc stopper and cannot be read. Additionally, the mechanism may not be able to return the disc to the magazine.

**Solution:** Replace the disc stopper with an improved version:

REFERENCE	DESCRIPTION	PART NUMBER	
		FORMER	NEW
— (CDXA15/A15RF/A40RF)	STOPPER, DISC	—	3-374-483-01
130 (CDX-A30/A30RF/A100)	STOPPER, DISC	X-3329-566-1	3-374-483-01



**CSA-14 CD Player**